

## BASE RFID 'RETRO'



Be-Tech BASE RFID 'RETRO' is a stylish contactless RFID solution for upgrading existing mechanical locking systems or improving back-of-house control. It offers economic and reliable high cost performance option to go contactless without the need to change the existing doors and installed mortises.

Based on the same product platform as BASE RFID by Be-Tech, the BASE RFID 'RETRO' is equipped with the same electronic. Thus it is compatible with BIS HOTEL software platform.

### RFID Specifications

- 13,56MHz technology
- Compatible with the following standard:  
ISO 14.443 A (MIFARE)
- 11 free sectors for future All-in-one card application use

### BASE RFID BY BE-TECH BENEFITS:

- **More Guest Satisfaction:** Worldwide famous Mifare contactless technology for all guest and staff cards. No need to insert keycard, more easier to access guest room.
- **More Security:** Anti-hacker technology for locks. Unlike other competitor's keycards can be hacked into lock memory through mini USB port on outside escutcheon, crack and open the keycards. Be-Tech anti-hacker technology not allows re-program FLASH RAM lock memory from outside escutcheon.
- **More Adaptability:** RFID keycards and carriers can be use for any style hotels, you can choose from low cost guest card, wristbands and keyfobs to perfectly match different hotel type: Business, Resort, Spa, All-Inclusive.
- **More Information and Control:** BASE RFID 'RETRO' electronic lock can check information on handheld Service Terminal for better information and management: Entry record audit trail, low battery status, real-time clock adjustment, etc...
- **More Integration:** You can integrate and interface BASE RFID 'RETRO' keycards with other applications at your hotel.
- **More Exclusivity:** Provide a new experience for your customers and enhance the image of your hotel.
- **More Flexibility:** BASE RFID 'RETRO' electronic lock is designed for facilities renovation use, you can have electronic hotel locking systems without the need to change doors and installed mortises.
- **More Productiveness:** Provides Tour Group Reservation and Tour Group Check-in, enhance the check-in efficiency of your hotel.
- **...and Less Expense:** BASE RFID 'RETRO' by Be-Tech is selling at a very competitive price by Be-Tech global distributors.

### FEATURES:

- Stand alone electronic lock with RFID technology.
- Easily replaces existing mechanical or electronic door lock.
- Operates with a completely sealed contactless module.
- Stainless steel handle with high strength central spindle.
- Inside escutcheon is fitted with electronic DND turn knob advising staff whether guests are present in their rooms.
- DND release function : the DND function will automatically released by inside handle for easy regress.
- ADA compliant (guest with physical disabilities)
- Future proof re-programmable FLASH RAM lock memory.
- Powered by 4AA batteries that provide up to 1 year normal life time.
- 400 event audit trail.
- Compatible with BIS HOTEL software platform.
- High security mechanical override cylinder available.

## A wide range of RFID (contactless) carriers

Be-Tech offers a wide range of RFID carriers which are designed for different applications (for your guests, for your staff or for your VIP guests) and gives you the opportunity to enhance your guests' experience at your hotel.

### Typical hotel application:

Guests: Reusable low cost guest keycards.  
Staff: Special printing long lasting staff keycards.  
VIP guests: Keyfobs and RFID Stickey for cell phones.

### Typical resort & spa application:

Guests: Wristband for guest convenience and all-inclusive.  
Staff: Special printing long lasting staff keycards.  
VIP guests: Wristbands or keyfobs.



**Reusable low cost guest keycards:**  
Cards may be customized at your request.



**Special printing long lasting staff keycards:**  
Cards may be customized at your request.



**Keyfobs:**  
Tags may be hang with a keychain, and can be customized at your request.



**Wristbands:**  
The wristbands can be used for 'all-inclusive' resorts and spas.

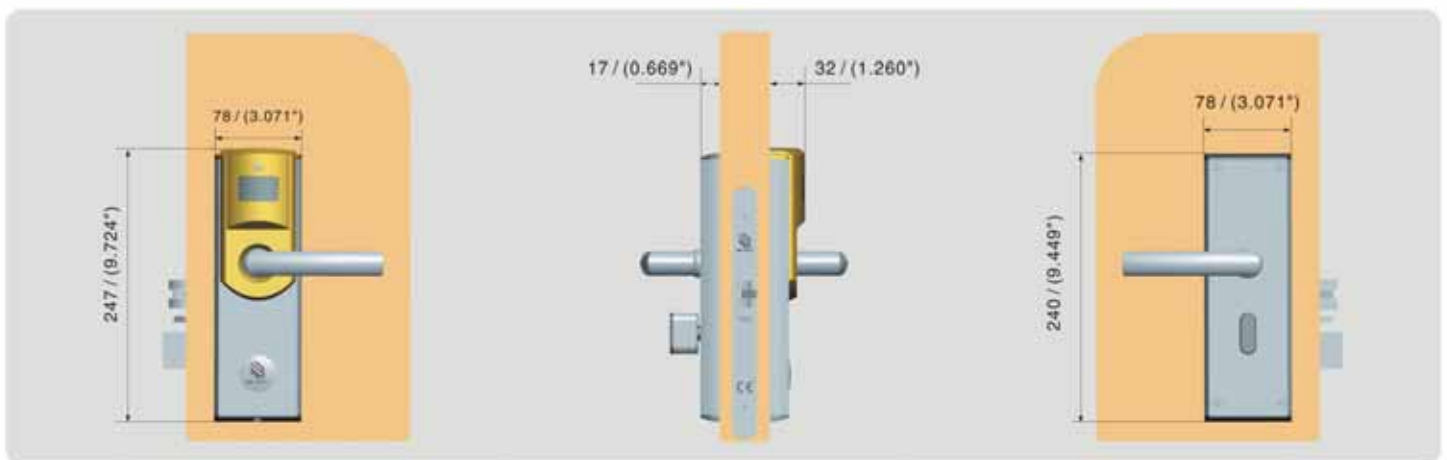


**RFID Stickey:**  
The ideal RFID carrier for global VIP guest's cell phones.





## Dimensions:



## Emergency Cylinder

Be-Tech locks will also be supplied with mechanical override cylinder, enhance your hotel security level.

- Use of mechanical override will recorded in the memory for audit trail.
- Reset locks by swipe SID card (System Password Card) while turning mechanical key to override on cylinder.
- Superior pick resistance 4 pin high security cylinder.
- Mechanical cylinder will not visible with a cylinder cover.
- Cylinder is available for achieve mechanical key alike (KA) or mechanical key different (KD).





# SPECIFICATIONS



<b>Compatible Lock Cases (see figure 1)</b>	A) Distance between mortise drive and bottom: less than or equal to 80mm.
	B) Backset: minimum 45mm.
	C) Spindle size: 7mm, 8mm, 8.5mm or 9mm square.
	D) Distance between mortise drive and top: less than or equal to 78mm.
	E) Distance between mortise forend sideline and door outside plane: greater than or equal to 12mm, if A) Distance between mortise drive and bottom - greater than 80mm.

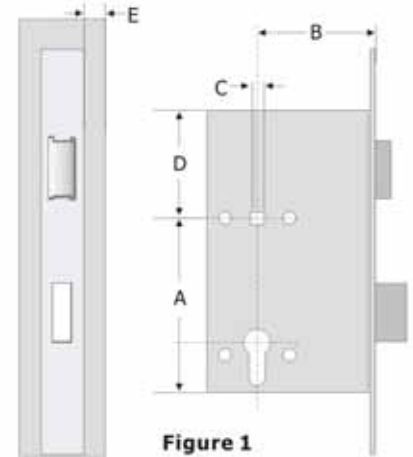
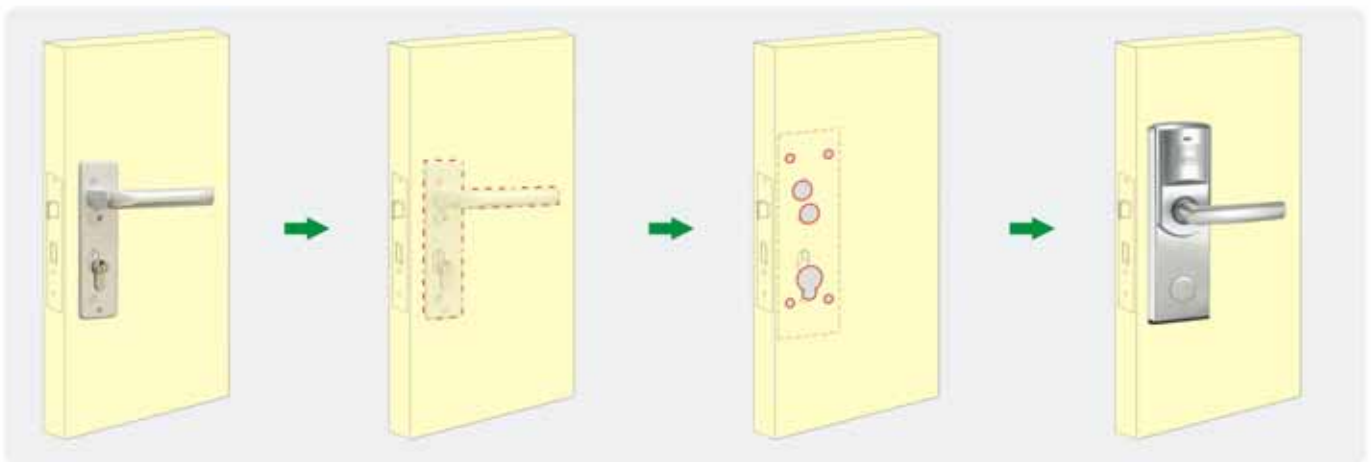


Figure 1

<b>Target Doors:</b>	<p>Thickness: 40mm - 65mm</p> <p>Minimum backset: 45mm or more</p> <p>Wood or metal, hollow or solid</p> <p>Remark: Applicable door thickness is calculated base on 20mm thickness lock case, every thickness of lock case increase will casue miminum applicable door thickness increase, every thickness of lock case decrease will casue maximum applicable door thickness decrease</p>
----------------------	--



Contact us:

*Smart Your Life*



**Guangdong Be-Tech Security Systems Limited**  
 No.17, KeYuan 3 Road, Ronggui  
 Shunde High-Tech Zone, Foshan,  
 Guangdong 528306, P.R.China  
 Tel: +86 757 28376123 | Fax: +86 757 28308823  
 E-mail: export@be-tech.com.cn | www.be-tech.com.cn

ID: 04-8THA44C1212-E1-01

Specifications may change without notice.